

Load cell sensor (strain gauge) Training System

EZ-SENSR004



Description:

This Sensor Trainer is designed to study the Load cell (Strain Gauge Transducer) as a Direct Weighing machines to observe the effect of weight on the strain or resistivity of the Strain Gauge. The student shall be able to interpret, design electrical system interface circuit diagram (signal converter), troubleshooting fault on electrical system from load cell (strain gauge) sensor to DAQ module.



MACHINE VISION & CONTROL AUTOMATION

Control Easy Technology Sdn. Bhd. (924757-A)

**Industry Machine Vision, Motion, PLC & PC Control Automation Systems.
Education Control Training Systems.**

No 28G &1, The Atmosphere, Jalan Atmosphere 5, Bandar Putra Permai,
43300 Seri Kembangan, Selangor, Malaysia.

Tel: +603-9545 2009

Fax: +603-9545 2010

E-mail: sales@controlez.com www.control-easy.com

This trainer complete with:

- Grid panel size 700 mm(W) X 520 mm(H) X 30 mm(D)
- Panel with square hole size 5 mm X 5 mm
- Material: Aluminum
- Detachable for components with brackets
- DC Regulated Power Supply of for +24V Signal
- DC Regulated Power Supply for 5V
- Power Requirement: 230V, $\pm 10\%$, 50Hz
- Sensor: Strain Gauge fitted on Strain Bar
- Weight Capacity: 0-10 Kg
- Electrical wiring
- Technical manual

USB Data acquisition

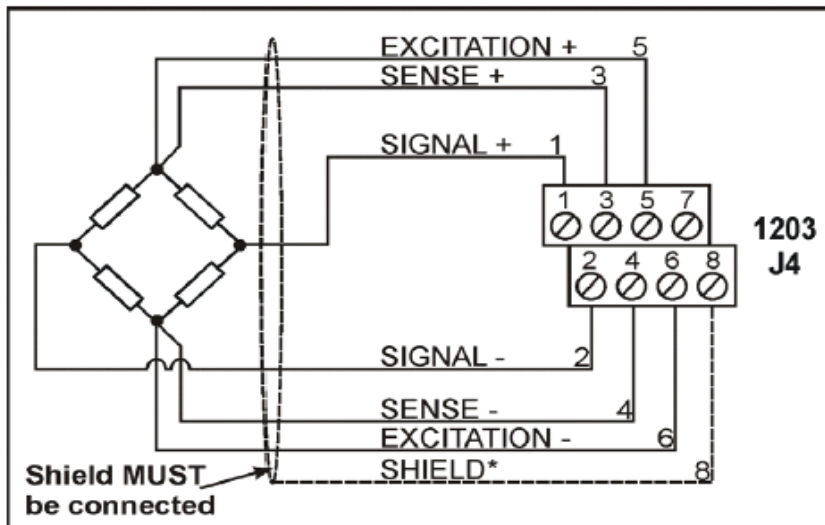
- Control Easy start channel, channel count, time interval
- 12-bit multifunction module with 150kS/s maximum sampling rate
- Provides 16 single-ended/8 differential AI channels
along with 2 AO channels.
- 8 TTL DI/O channels for on-off control applications

Note:

Control Easy reserves the right to improve the above specification and design without prior notice. The training kit picture shown only for illustration purpose and subject to any change.

Electrical wiring

5.1. Load Cell: 6-Wire Connection (J4)



Note: Sense lines MUST be connected.

5.2. Load Cell: 4-Wire Connection (J4)

